

# technical datasheet



## Corden EPS Geogrids

### Description

Corden eps Geogrid is a biaxial extruded polypropylene grid, designed for ground stabilisation. Corden eps Geogrid is a polymeric product composed of stiff ribs running at right angles to each other with rectangular openings (Apertures) of regular size (typically 39mm x 39mm), it is black in colour and has a high tensile strength and is chemically inert, and can absorb stresses in two directions, Corden eps Geogrid is specifically for use in soil and asphalt reinforcement applications.

### Applications and Benefits

#### Application

Reducing thickness of layers in ground reinforcement/  
Improving strength and working life of roads and railways

#### Benefit

Corden eps Geogrid can be used to reduce layer thickness by up to 30%. This results in a significant cost saving due to the reduced volume of aggregate. (Users can expect a 25% saving on standard design).

#### Application

Containing differential settlement on brownfield sites

#### Benefit

When controlling differential settlement on brownfield sites, Corden eps Geogrid is an economical alternative to more expensive methods such as piled platforms. Depending upon project design, saving of more than 50% can be generated.

#### Application

Erosion Control

#### Benefit

Corden eps Geogrid allows for construction on sites that may otherwise be unsuitable for developments, eg marsh land or lagoons. This means that expensive and time consuming re-routing of roads and railway lines can be avoided.

#### Application

Bridging Voids

#### Benefit

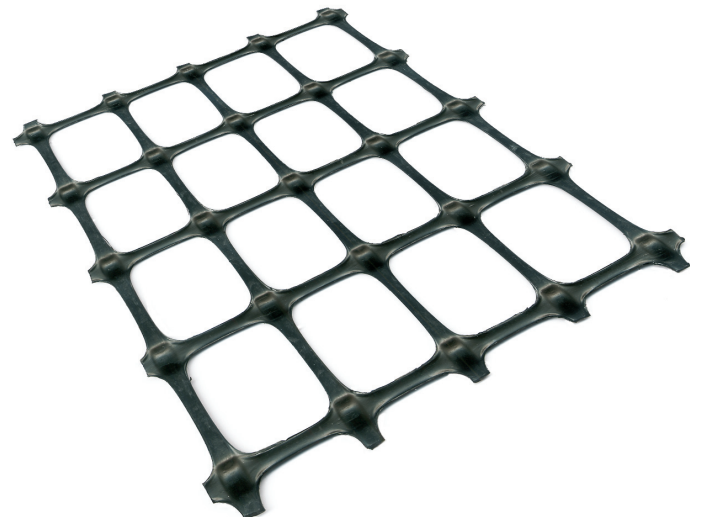
Corden eps Geogrid can be used as a temporary solution for bridging ground that is subject to collapse. It gives protection to workers on site and allows work to continue without compromising health and safety

### Technical Information

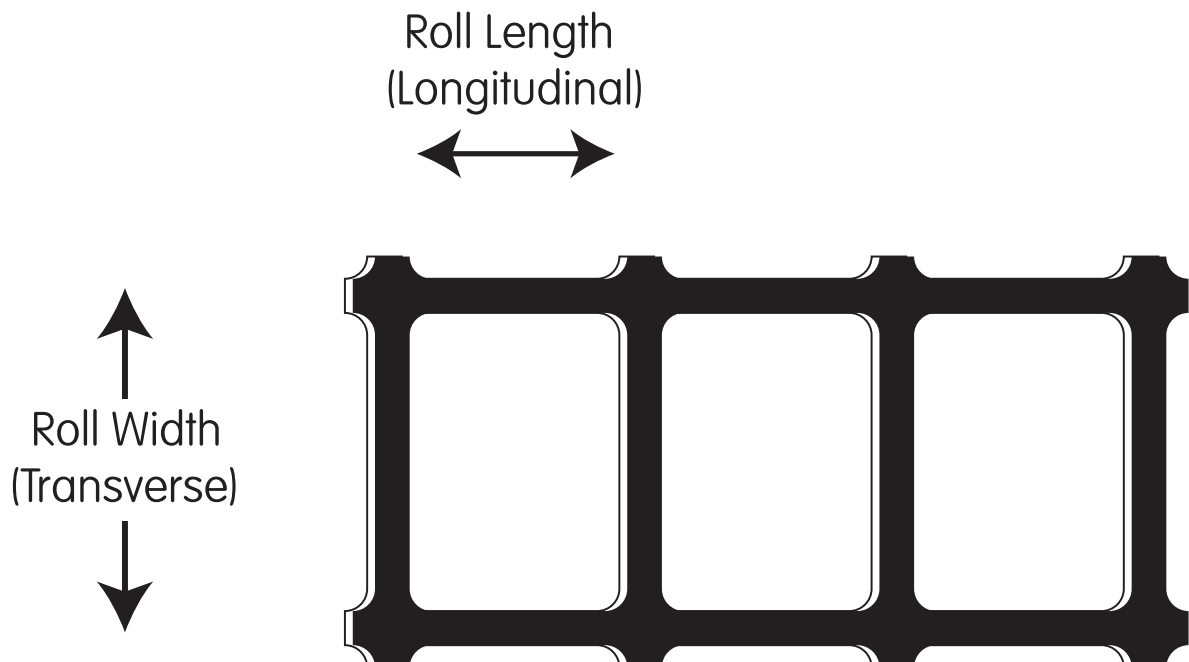
Corden eps Geogrid is supplied in three standard sizes the grade refers to the tensile strength in kn/m

- 20/20 = 20 kn/m
- 30/30 = 30 kn/m
- 40/40 = 40 kn/m

For most projects 30/30 will be suitable but 40/40 & 20/20 are available for projects that require a greater or lesser tensile strength



GRADE		20-20	30-30	40-40
Weight in gr/sqm +/-10%		300±30	430±30	580±30
ISO 9864				
Mean Tensile Str. In kN/m	L	20	30	40
EN ISO 10319	W	20	30	40
Load at 2% Strain in kN/m	L	10	12	16
EN ISO 10319	W	11	12	16
Load at 5% Strain in kN/m	L	15	23	28
EN ISO 10319	W	15	23	28
Break extension in %	L	≤16	≤16	≤20
Roll Diameter in cm		33±5	40±5	47±5
Roll Weight in Kg		52±6	85±6	115±6
Aperture in mm (AL)	L	35±5	35±5	35±5
(AT)	T	35±5	35±5	35±5
WLR Dimensions in mm		4	4.2	4.8
WTR Dimensions in mm		4.5	4.2	5
TJ Dimensions in mm		3.5	5.1	6.3
TLR Dimensions in mm		1.1	2.4	3.5
TTR Dimensions in mm (as per drawing)		1.0	1.5	1.8



industrial estate south, park road, calverton, nottingham ng14 6bp

tel 0115 965 6111 fax 0115 965 5151 email sales@cordengroup.co.uk web www.cordengroup.co.uk

*'Easi' branded products are guaranteed by Corden Group Ltd against defective materials and manufacture. We cannot however accept any liability arising from the application or use of our products because we have no direct or continuous control over where and how our products are used. All products are sold subject to our conditions of sale, copies of which may be obtained on request.*